


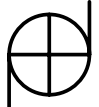


Step	NOTE OR PROCEDURE	Date Initial
1	-	
2	-	
3	-	
4	-	
5	-	
6	-	
7	-	

ITEM	PART NUMBER	SOURCE or MATERIAL	QTY	PO	SERIAL NUMBER
8	-	-	-		
7	-	-	-		
6	-	-	-		
5	-	-	-		
4	-	-	-		
3	2000101 Rev- Separation Connector R & D	PSC	REF		
2	4000106 Rev B Lower Separation Connector	PSC	1		
1	4000107 Rev B Upper Separation Connector	PSC	1		

UNLESS OTHERWISE NOTED	
Tolerance	  
X.XXXX ± 0.001	
X.XXX ± 0.005	64/
X.XX ± 0.010	
X.X ± 0.030	All dimensions in inches
X	± 1.0
DESIGN:	Walter Holemans 4 Sep 98
ISSUED:	Walter Holemans
REVISED:	Walter Holemans 5 jun 02


PLANETARY SYSTEMS CORPORATION
 2303 Kansas Avenue, Silver Spring, MD 20910, (301) 495-0737

THE INFORMATION CONTAINED IN THIS DRAWING, OR ANY REPRODUCTION THEREOF, IS PROPRIETARY INFORMATION AND THE PROPERTY OF PSC. IT SHALL NOT BE DISCLOSED, COPIED, DUPLICATED, OR USED FOR MANUFACTURE, PRODUCTION OR PROCUREMENT, WITHOUT THE EXPRESS WRITTEN PERMISSION OF PSC.

TITLE
 Separation Connector Assembly

SIZE: A 1PHA7
 CAGE CODE: 4000200
 DWG NO: 4000200
 SCALE: 1:1
 SHEET: 1 of 2

REV: F

SPECIFICATION

Initial Separation Force [lbf] 2.1 lbf. Always in the direction of separation

Travel to end of separation force [in] 0.06

Travel to complete separation (clear guide pins) [in] 0.26

Allowable Mated Misalignment [in] ± 0.009 W.R.T. mounting holes

Allowable Mated Angular Misalignment [deg] ± 3.0

Pin Quantity 15

Pin Pair resistance [ohm] 0.02 to 0.06

Maximum Current Per Pin [A] 5.0

Temperature range [C] -100 to 150

EMI Shielding Yes

Keying Yes

Weight of mated pair [lbf] 0.051 (excluding wiring harness)

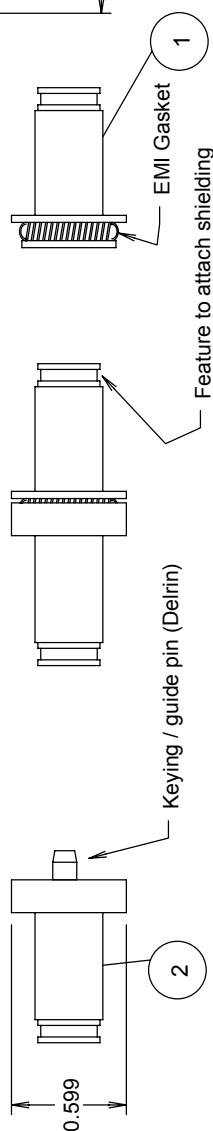
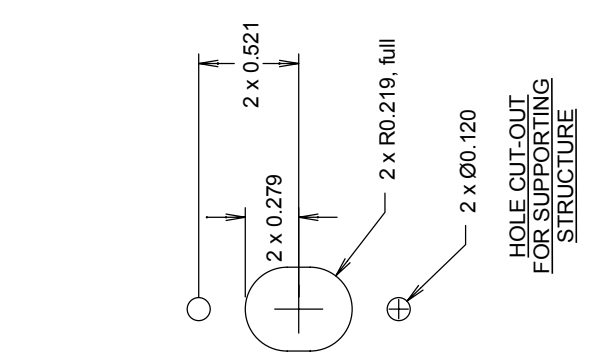
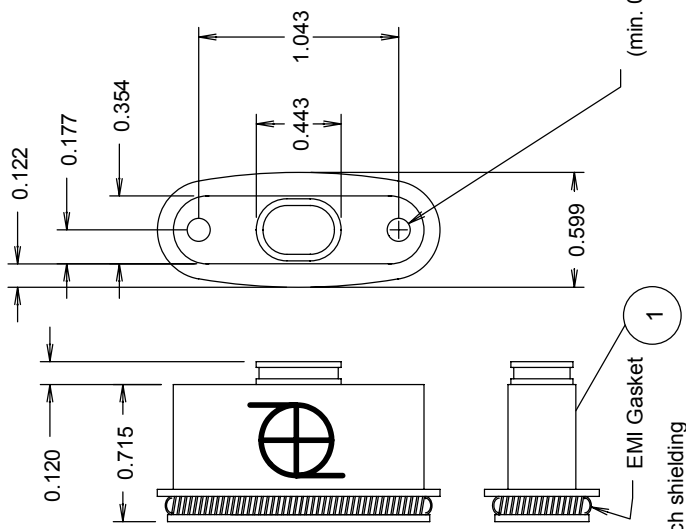
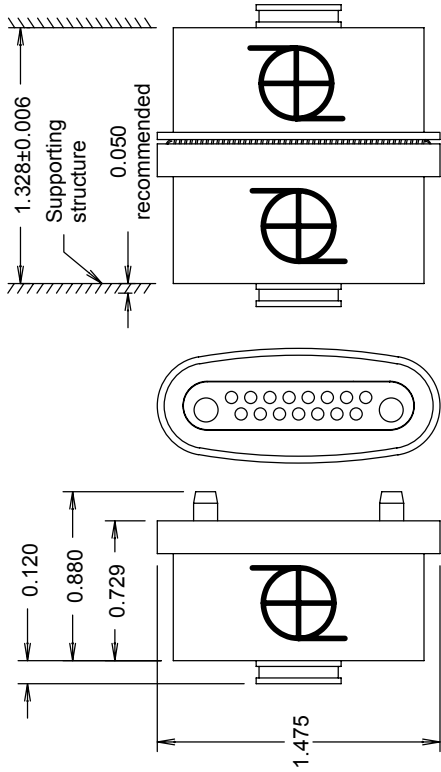
Life [cycles] >5,000

Material Nickel Plated Aluminum Alloy

Wire Connection Solder pot

Wire Gage 20 - 32 AWG

Shock resistance >300 g at connector shell may induce 10 to 20 microsec intermittancies



THE INFORMATION CONTAINED IN THIS DRAWING OR ANY REPRODUCTION THEREOF, IS PROPRIETARY INFORMATION AND THE PROPERTY OF PSC. IT SHALL NOT BE DISCLOSED, COPIED, DUPLICATED, OR USED FOR MANUFACTURE, PRODUCTION OR PROCUREMENT, WITHOUT THE EXPRESS WRITTEN PERMISSION OF PSC.

PLANETARY SYSTEMS CORPORATION
2303 Kansas Ave Silver Spring, MD 20910 (301) 495-0737

SIZE	CAGE CODE	DWG NO	REV
A	1PHA7	4000200	F
SCALE	1:1	SHEET	2 of 2